

Solar Panel Mounting Systems

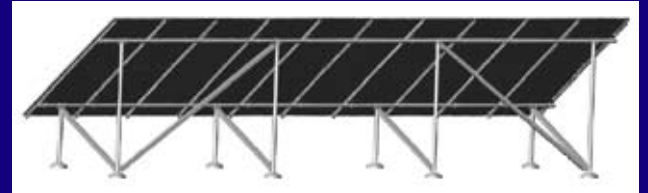
BREATHE Systems® Solar Panel Mounting Systems are built to withstand harsh conditions and are widely used in residential, commercial and remote districts. The mounting systems can be adapted to by almost all PV panels on the market today.

Our mounting systems meet international quality standards, such as ISO9001:2000, utilize the latest technology and are aesthetically pleasing. The systems are made from aluminum and stainless steel and the high corrosion resistance guarantees a long lifespan. Our mounting systems come with a 10-Year warranty.

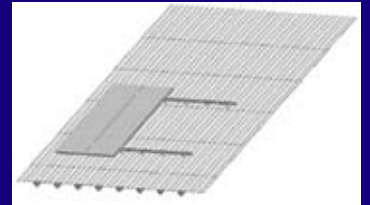
BREATHE Systems® provides installer manuals and install architecture codes. We have 24-Hour technical support lines and are able to provide engineers and technicians for hands-on and face-to-face consultations.



Pole Mounting



Array Mounting



Roof Mounting



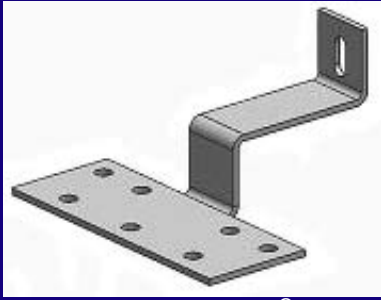
“bringing renewable
& efficient alternatives
to home environments”

BREATHE
S Y S T E M S®

www.breathesystems.com

Switzerland +41 44 586 77 00 | UK +44 121 288 8383 | USA +1 646 217 0888 | Hong Kong +852 8197 2777 | Australia +61 7 3103 3357

Solar Panel Mounting Systems



The BREATHE Systems® Hook is ideal for pitched roofs. The single slot hole on the hook side allows for variation in heights, whilst the seven holes are utilized to fasten the hook to the rafter.

The BREATHE Systems® can adapt to almost all solar panels on the market today. The top of the rail is used to support the solar panel, the bottom to fasten the rail to the roof and the middle part is for cabling.



The End Clamp is used to fasten the solar panel to the BREATHE Systems® Rail.



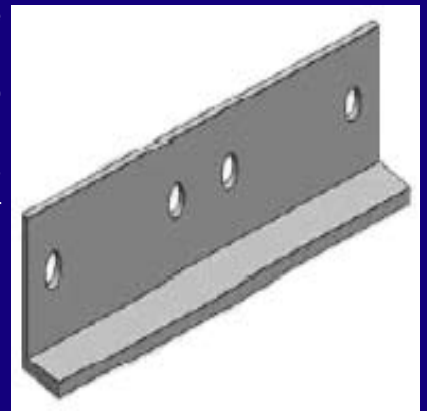
The Upper Clamp and T-Bolt fit the solar panel to the BREATHE Systems® Rail. The Upper Clamp clamps the frame of the solar panel.

The Lower Clamp is used underneath the panels and allows for adjustment to the space between the panels.



The L-Feet are commonly used in residential and commercial applications. L-Feet are suitable for angled rooftops. The solar panel can be set at two heights utilizing the two holes on the vertical side of the part. The higher height is generally used to allow for greater air flow around the solar panel in order to lower the panel temperature.

The Rail Splice Bar is designed to connect two BREATHE Systems® Rails for larger mounting systems



“bringing renewable
& efficient alternatives
to home environments”

BREATHE
S Y S T E M S®

www.breathesystems.com

Switzerland +41 44 586 77 00 | UK +44 121 288 8383 | USA +1 646 217 0888 | Hong Kong +852 8197 2777 | Australia +61 7 3103 3357

specifications are subject to change without notice

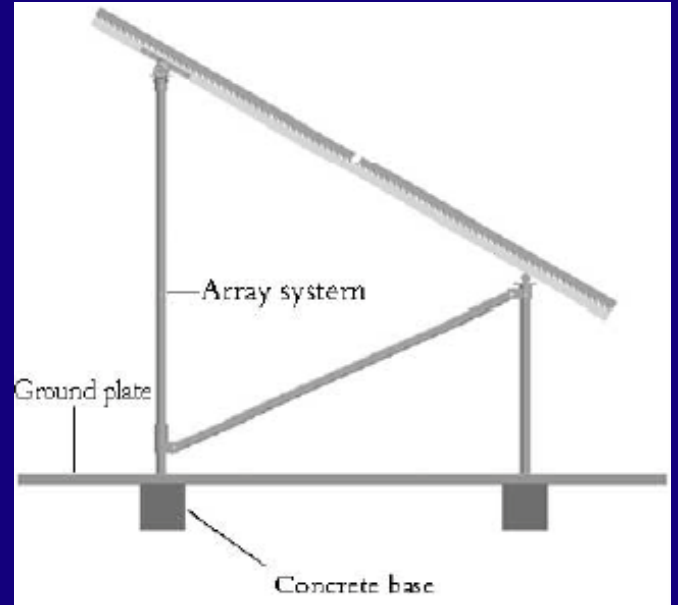
Solar Panel Mounting Systems

Array Mounting Systems

Array systems are designed for large photovoltaic systems in open areas or on flat roofs. Connection parts can be pre-fabricated in order to guarantee fast assembly.

Characteristics

- Total module surface up to 30 m²
- Maintenance-free
- Sound structure and long life
- Power capacity of approximately 5kW
- No movement; fixed system
- Designed to withstand wind speeds of up to 200 km/hr



BREATHE Systems® Array		Number of Panels per Row										
Mounting System		2	3	4	5	6	7	8	9	10	11	12
Component Description	Component Code	Quantity of Components										
BREATHE Systems® Rail	1001000 (1.0m)											
	1001800 (1.8m)											
	1002400 (2.4m)											
	1003000 (3.0m)											
	1003600 (3.6m)					4		5		6		7
Long Pole	500100					4		4		4		4
Short Pole	500101					4		4		4		4
Cross Strut	500102					2		2		2		2
Cross Brace (Long)	500103					2		2		2		2
Cross Brace (Short)	500104					2		2		2		2
Sleeve	500105					6		6		6		6
Front Cap	500106					6		6		6		6
Front Cap-2	500107					2		2		2		2
L-Feet	100901					8		10		12		14
Strut Plate	800803					16		20		24		28
Lower Clamp	100703					8		8		8		8
Plate Washer	500108					8		10		12		14
T-Bolt M8x20	900701					24		30		36		42
M8x20 Bolt	900905					8		8		8		8
M10x90 Bolt	900906					20		20		20		20
U-Bolt M12x62	900907					24		26		28		30
Grounding	930704					12		16		20		24

specifications are subject to change without notice

“bringing renewable
& efficient alternatives
to home environments”

BREATHE
SYSTEMS®

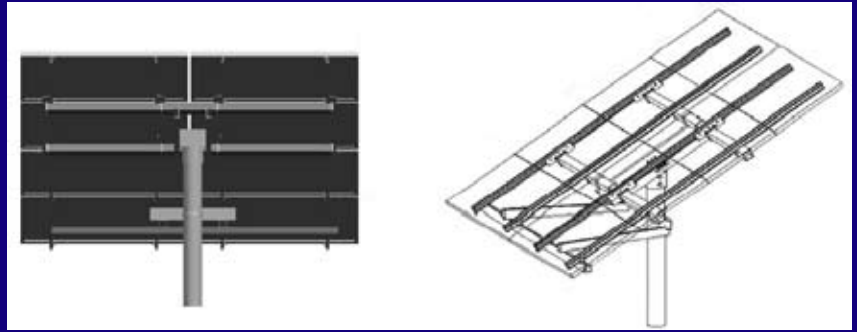
www.breathesystems.com

Switzerland +41 44 586 77 00 | UK +44 121 288 8383 | USA +1 646 217 0888 | Hong Kong +852 8197 2777 | Australia +61 7 3103 3357

Solar Panel Mounting Systems

Pole Mounting Systems

Pole systems are designed for up to 1.6kW and to withstand wind speeds of up to 200 km/hr. These systems are suited for large photovoltaic system installations and are built for most wind zones. The system can be manufactured to your desired angle and welding is necessary at the installation destination. The instruction manuals provided enable clients an easy and quick installation.



Characteristics

- Total module surface up to 10.5 m²
- Maintenance-free
- Sound structure and long life
- Power capacity of approximately 1.6kW
- No movement; fixed system
- Designed to withstand wind speeds of up to 200 km/hr

BREATHE Systems® Pole		Number of Panels per Row										
Mounting System		2	3	4	5	6	7	8	9	10	11	12
Component Description	Component Code	Quantity of Components										
BREATHE Systems® Rail	1001000 (1.0m)											
	1001800 (1.8m)									4		
	1002400 (2.4m)									4		
	1003000 (3.0m)											
	1003600 (3.6m)								4			
Stand Pole	800801					1		1		1		
Cross Pole	800802					2		2		2		
Strut Plate	800803					2		2		2		
Pole Can	800804					1		1		1		
Pole Bracket	800805					1		1		1		
Leg Strut	800806					2		2		2		
Leg Strut-2	800807					1		1		1		
L-Feet	100901					4		4		4		
Large L-Feet	100903					8		8		8		
Tilt Strut	800808					2		2		2		
Space Bar	800809					8		8		8		
U Bolt	800810					1		1		1		
Square U Bolt	800811					8		8		8		
Lower Clamp	100703					24		32		40		
T-Bolt M8x20	900701					28		28		28		
T-Bolt M12x25	900802					8		8		8		
M20x50 Bolt	900903					4		4		4		
M12x45 Bolt	900904					6		6		6		
Grounding	930704					12		16		20		

specifications are subject to change without notice

“bringing renewable
& efficient alternatives
to home environments”

BREATHE
S Y S T E M S®

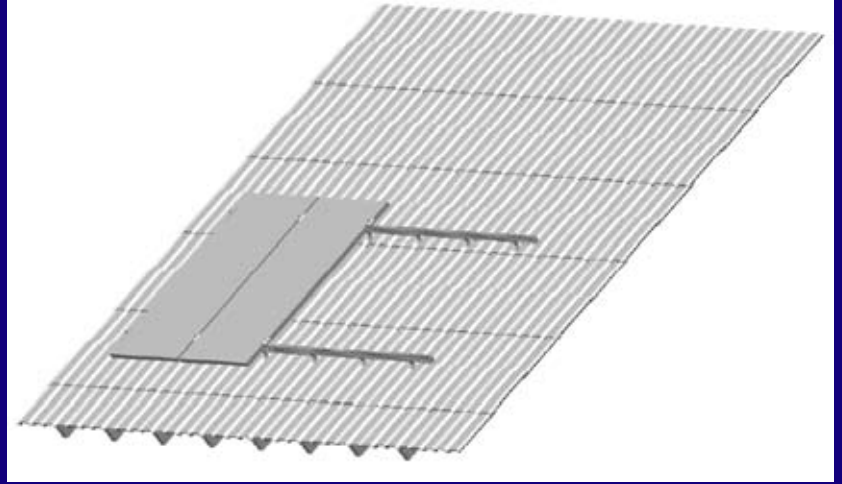
www.breathesystems.com

Switzerland +41 44 586 77 00 | UK +44 121 288 8383 | USA +1 646 217 0888 | Hong Kong +852 8197 2777 | Australia +61 7 3103 3357

Solar Panel Mounting Systems

Roof Mounting Systems

Roof systems are designed for roofs of any pitch and also for flat roofs. Solar panels can be fastened to the roof using the BREATHE Systems® Rail. The L-Feet connect to the bottom of the rail, which mount to the roof. Minimum tools are required for installing the Roof Mounting System. Our detailed installation instructions ensure an easy and smooth installation.



BREATHE Systems® Rooftop		Number of Panels per Row										
Mounting System		2	3	4	5	6	7	8	9	10	11	12
Component Description	Component Code	Quantity of Components										
BREATHE Systems® Rail	1001000 (1.0m)											
	1001800 (1.8m)	2										
	1002400 (2.4m)				4	2			2			
	1003000 (3.0m)		2			2	4		4	6	4	
	1003600 (3.6m)			2				4			2	6
Upper Clamp	100701	2	4	6	8	10	12	14	16	18	20	22
End Clamp	100702	4	4	4	4	4	4	4	4	4	4	4
Rail Splice Bar	100801					2		2	6		6	
L-Feet	100901	4	6	6	8	8	10	12	14	14	14	16
Round Feed	100902	4	6	6	8	8	10	12	14	14	14	16
Lag	900201	8	12	12	16	16	20	24	28	28	28	32
T-Bolt M8x20	900701	12	14	14	16	16	18	20	22	22	22	24
T-Bolt M8x35	900703	2	4	6	8	10	12	14	16	18	20	22
T-Bolt M8x65	900801	4	4	4	4	4	4	4	4	4	4	4
M12x20 Bolt	900902	4	6	6	8	8	10	12	14	14	14	16
Grounding	930704	4	6	8	10	12	14	16	18	20	22	24

specifications are subject to change without notice

“bringing renewable
& efficient alternatives
to home environments”



www.breathesystems.com

Switzerland +41 44 586 77 00 | UK +44 121 288 8383 | USA +1 646 217 0888 | Hong Kong +852 8197 2777 | Australia +61 7 3103 3357