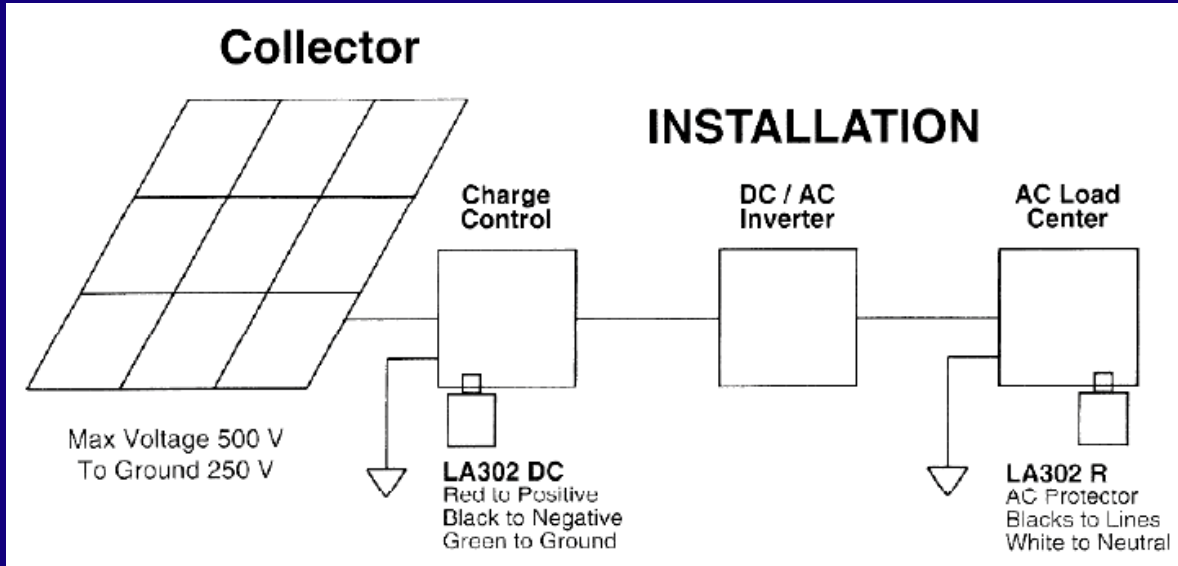


# Lightning Arrestors

SE-LA302-DC

Silicon Oxide Arrestor for Photovoltaic and other limited DC Current applications



Type of Design	Silicon Oxide Varistor
Maximum Current	60,000 Amps
Maximum Energy	2,000 Joules per Pole
Maximum Number of Surges	Unlimited
Response Time One Milliamp Test	5 Nanoseconds
Response Time to Clamp 10,000 Amps	10 Nanoseconds
Response Time to Clamp 50,000 Amps	25 Nanoseconds
Leak Current at Double the Rated Voltage	None
Case Material	36" #12 THHN
Case Material	PVC
Locknut and Washer Furnished	

SE-LA302 DC  
SE-302 R

Conduction Characteristics (8 X 20 microsecond wave shape; ANSI; IEEE; NEMA Standard C62.1)

Discharge Current	5000A	10000A	20000A	40000A	60000A
Clamping Voltage	240V	480V	840V	1300V	2000V



specifications are subject to change without notice

"bringing renewable  
& efficient alternatives  
to home environments"

**BREATHE**  
**SYSTEMS**®

www.breathesystems.com

Switzerland +41 44 586 77 00 | UK +44 121 288 8383 | USA +1 646 217 0888 | Hong Kong +852 8197 2777 | Australia +61 7 3103 3357